

**EUROPAIR** 

CONTROL THE AIR YOU BREATHE

**PLENUM BOX**  
technical

types **-PB**

**Europair Africa**  
a division of Performancair Products Africa (Pty) Ltd

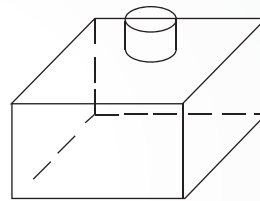
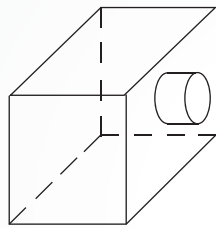
tel +27 11 974 2425  
fax +27 11 974 7251  
web [www.europair-africa.com](http://www.europair-africa.com)  
email: [info@europair-africa.com](mailto:info@europair-africa.com)

Cnr. Grader and Vuurslag  
Spartan Ext. 3  
Kempton Park  
Johannesburg

# PLENUM BOX 01

Type - **PB**

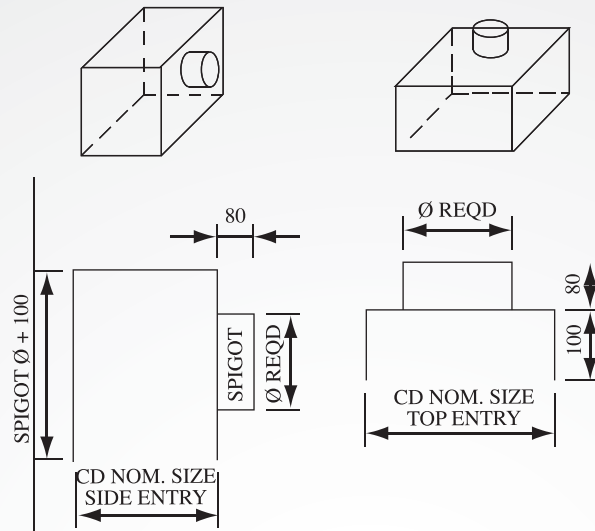
---



**PLENUM BOX**

# PLENUM BOX 02

Type - PB



Plenum Box manufactured of Galvanised Flat Sheet with top or side entry spigot - Uninsulated or internally insulated with 10mm Thermaflex. Plenum Box usually fits over neck of Ceiling Diffuser.

Spigot sizes have been selected using maximum neck velocity shown in our chart for each CD. **i.e:** 3.5m/sec. When ordering spigot diameter larger than those shown cannot be used, smaller can be specified.

TYPE CD ON DIMENSIONS	SPIGOT DIMENSIONS	PLENUM BOX DIMENSION	
		NO OBD	PLUS OBD
152 x 152	152	155 x 155	157 x 157
229 x 229	203	232 x 232	234 x 234
305 x 305	254	308 x 308	310 x 310
381 x 381	356	384 x 384	386 x 386
457 x 457	406	460 x 460	462 x 462
533 x 533	457	536 x 536	538 x 538
610 x 610	508	613 x 613	615 x 615

All dimensions in mm.

**ORDERING PROCEDURE:** Example

REF	QTY	SIZE (LxH) Ø	TYPE	SPECIAL INSTRUCTION
1	10	381 x 381 x 356	PB	INSULATED SIDE ENTRY

- Note: (1) Dimensions given are for Ceiling Diffuser Size.  
 (2) If insulated Plenum Box required - Enter under SPECIAL INSTRUCTIONS