

EUROPAIR 

CONTROL THE AIR YOU BREATHE

EGG CRATE GRILLES

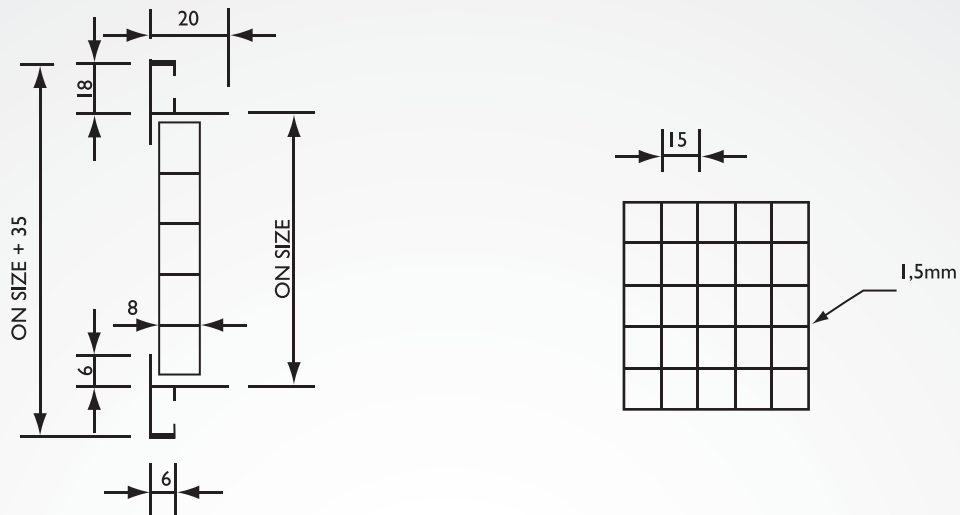
technical

types **-EC, ECA**

Europair Africa
a division of Performancair Products Africa (Pty) Ltd

tel +27 11 974 2425
fax +27 11 974 7251
web www.europair-africa.com
email: info@europair-africa.com

Cnr. Grader and Vuurslag
Spartan Ext. 3
Kempton Park
Johannesburg



TYPE EC

Egg Crate Grille manufactured with frame of extruded Type 50S anodising grade aluminium and high density styrene core.

Accessories

- OBD** = Opposed Blade Damper
- PC** = Punched counter sunk holes
- CF** = Concealed Fixing

Dimensions

- D** = ON / Normal Duct Size
- ON - Over Neck Size
- OS - Over Flange

Frame Options

30mm Standard

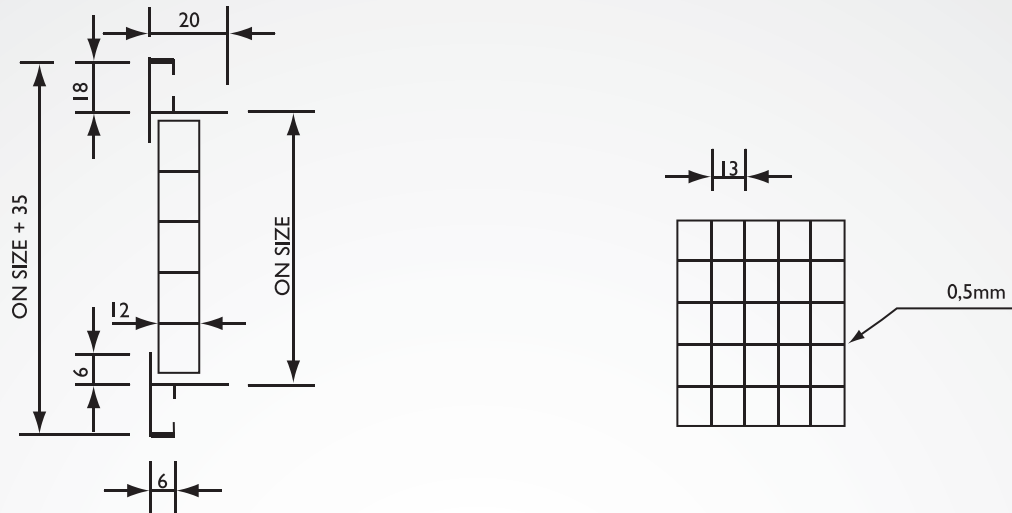
Finish Options

- A) **FRAME NA** = Natural Anodised Aluminium
- BEW** = Baked Enamel White
- B) **CORE** = High Density Polystyrene
- = Aluminium

Ordering Procedure: Example

REF	QTY	SIZE (LxH)	TYPE	ACCESS	FRAME	FINISH	SPECIAL INSTRUCTIONS
1	10	595 x 595	EC	-	25	BEW	"OS"

Note: (1) Dimensions given are for 'OS' = Over Flange



TYPE ECA

Egg Crate Grille manufactured with frame of extruded Type 50S anodising grade aluminium and the grid manufactured from 0,5mm aluminium sheet.

Accessories

OBD	=	Opposed Blade Damper
PC	=	Punched counter sunk holes
CF	=	Concealed Fixing

Dimensions

D	=	ON / Normal Duct Size
		ON - Over Neck Size
		OS - Over Flange

Frame Options

30mm Standard

Finish Options

NA	=	Natural Anodised Aluminium
BEW	=	Baked Enamel White
EPC	=	Epoxy Powder Coating

Ordering Procedure: Example

REF	QTY	SIZE (LxH)	TYPE	ACCESS	FRAME	FINISH	SPECIAL INSTRUCTIONS
1	15	1195 x 595	ECA	OBD	25	BEW	"OS"

Note: (1) Dimensions given are for 'OS' = Over Flange

SPECIAL APPLICATIONS

EC & ECA CORES

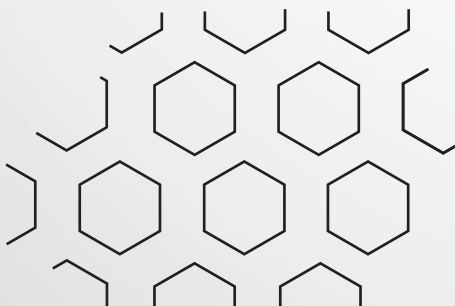
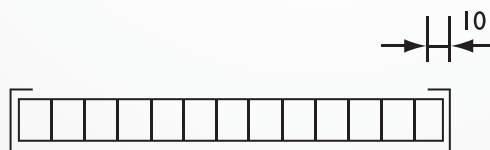
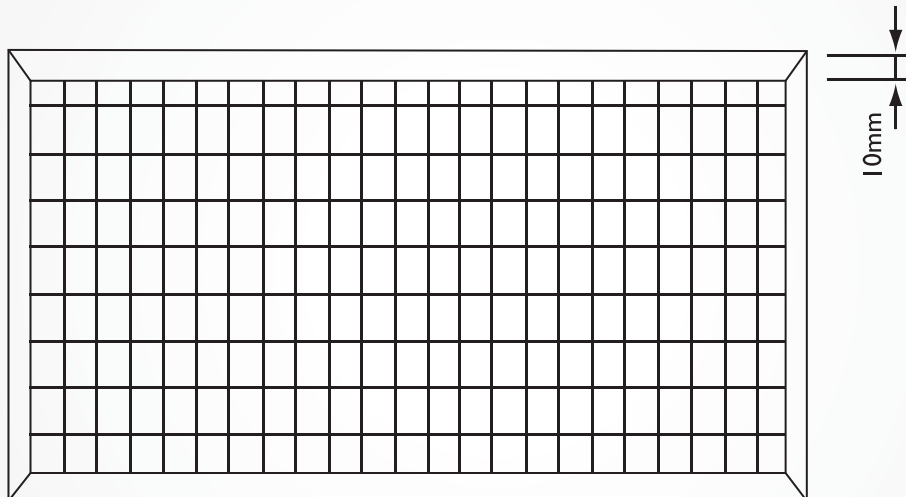
EC & ECA Cores are available with a 10mm channel frame for "Drop In" Ceilings.

The channel frame fabricated of electrogalvanised metal and painted.

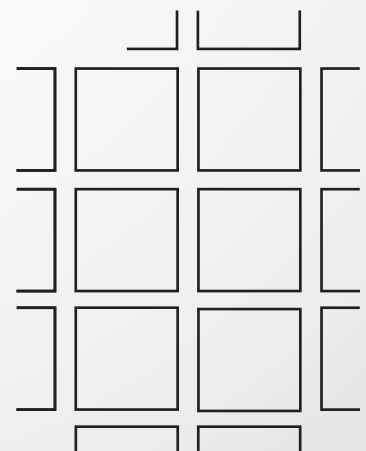
Cuts are not accurate as it is intended for channel to be hidden by ceiling "T".

Other Cores are also available on request

- Honeycomb
- 45° Angled Louvres
- Chrome Finish - both Matt or Gloss



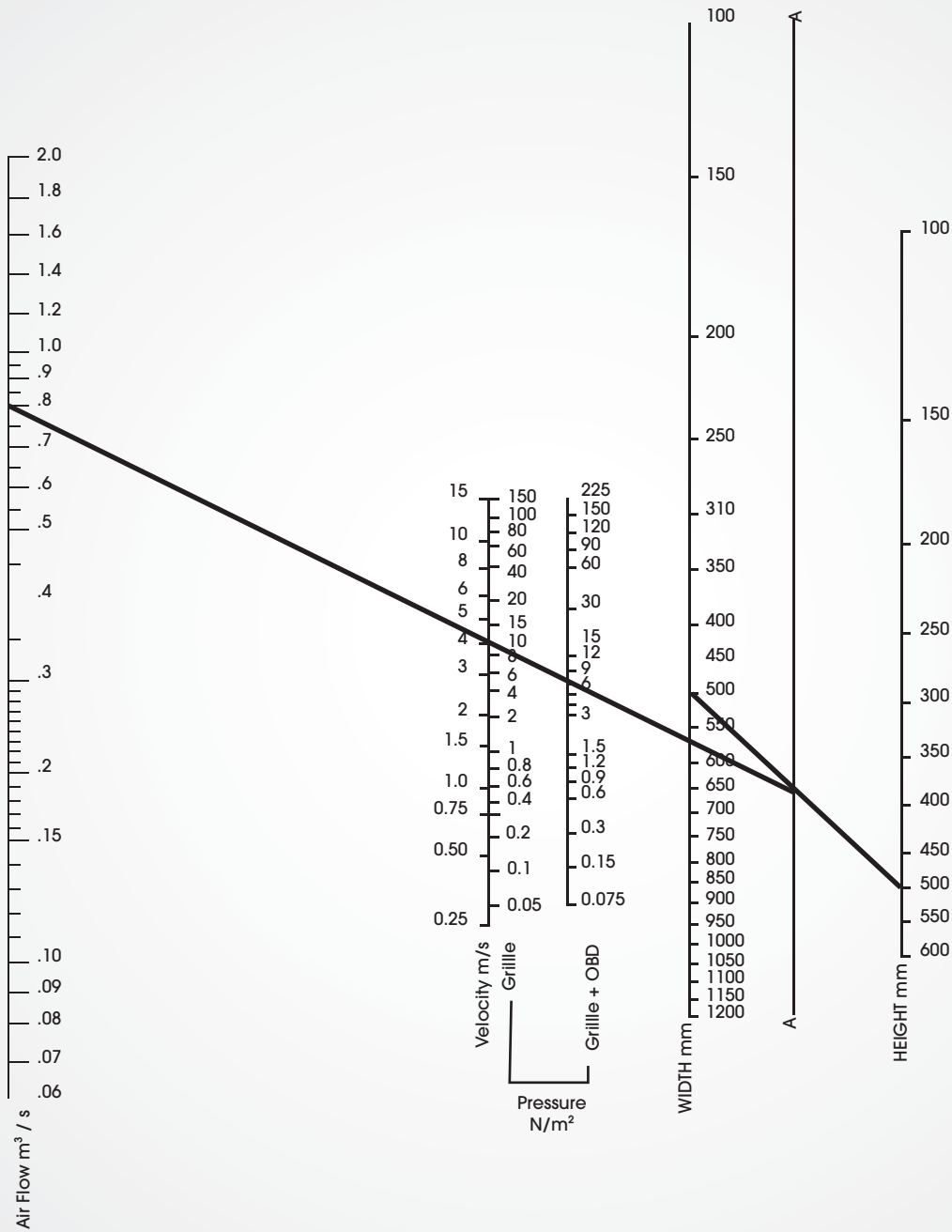
TYPE HC



TYPE HD

HC = Honey Comb
HD = Heavy Duty

SELECTION DATA



EXAMPLE

0.8m³/s AT 4M/S
 USE 500mm x 500mm
 PRESSURE DROP IS 10N/m²
 GRILLE + OBD PRESSURE DROP
 IS 6N/m². BY PIVOTING
 ON LINE A-A ALTERNATIVE
 DIMENSIONS ARE OBTAINED.