

EUROPAIR 

CONTROL THE AIR YOU BREATHE

RETURN AIR GRILLES

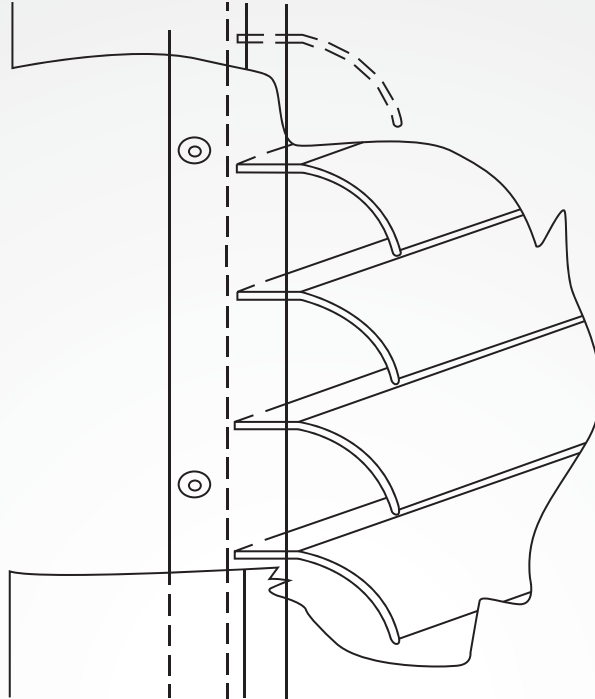
technical

types **-RA, RARB, RAFF, TG, EC**

Europair Africa
a division of Performancair Products Africa (Pty) Ltd

tel +27 11 974 2425
fax +27 11 974 7251
web www.europair-africa.com
email: info@europair-africa.com

Cnr. Grader and Vuurslag
Spartan Ext. 3
Kempton Park
Johannesburg

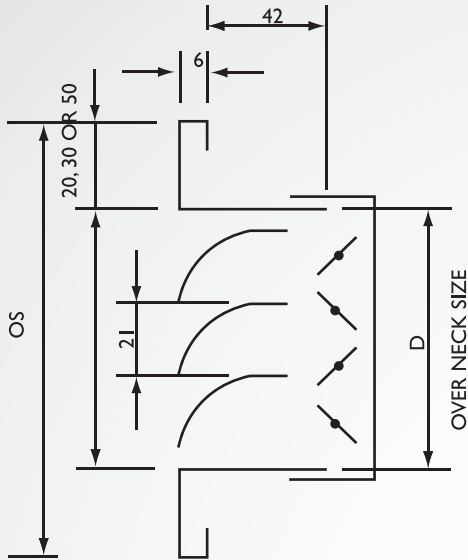


- These grilles feature light weight extruded aluminium with or without damper attached. The standard grilles are available with fixed horizontal blades spaced at 21mm apart.

GENERAL SPECIFICATIONS

- Different spacing can be offered as a special request.
- The frame is constructed of 1.3mm thickness extruded aluminium with curved fins of extruded aluminium of 1.2 to 1.6mm thickness.
- The damper is constructed from extruded aluminium blades and frame.
- Grille can be furnished with powder coated white finish preceded by a five stage preparation process of cleaning, phosphatising and drying.
- Other colours are available on request.
- Grilles can also be supplied as natural anodised.
- For outside weatherproof applications the Return Air Ribbed Blade (RARB) can be offered. This type is particularly suited to grilles for console air conditioners.

RETURN AIR GRILLS 02



TYPE RA

(45deg. Deflection):

Return Air Grille manufactured of extruded type anodising grade aluminium with fixed curved blade profile giving low see through characteristics.

This grille may be mounted vertically or horizontally.

Optional Accessories

OBD	=	Opposed Blade Damper
PC	=	Punched counter sunk holes
CF	=	Concealed Fixing
FS	=	Rear Fixing Straps

Frame Options

30mm Standard
20mm
50mm

Finish Options

NA	=	Natural Anodised
EPC	=	Epoxy Powder Coating
WS	=	Wet Spray Colour

Blade Spacings

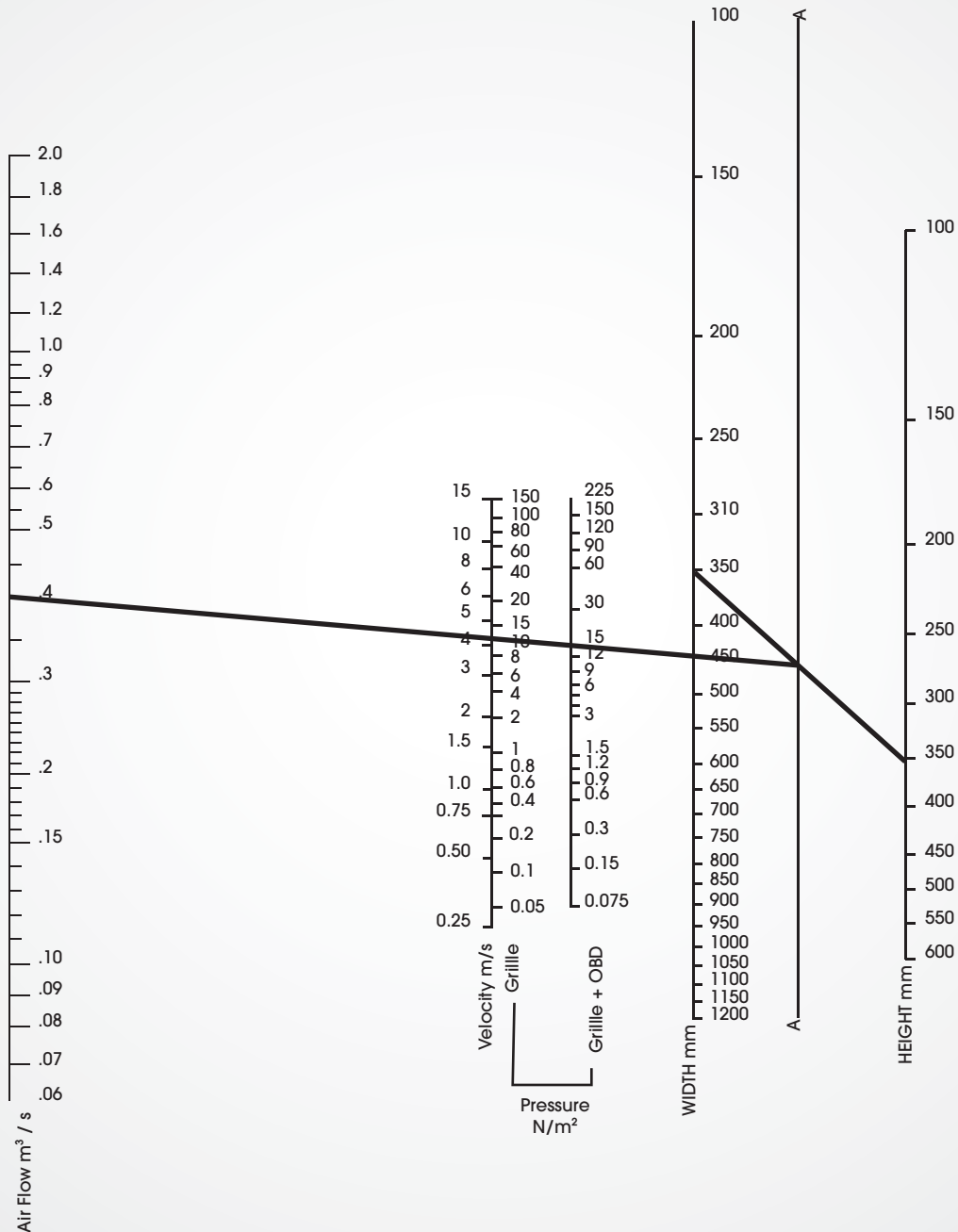
13mm
19mm
21mm Standard
26mm

Ordering Procedure: Example

REF	QTY	SIZE (LxH)	TYPE	ACCESS	FRAME	FINISH	SPECIAL INSTRUCTIONS
1	10	1195 x 595	RA	-	30	NA	"OS"

- Note: (1) Dimensions given are for over flange size
 (2) If 13mm, 19mm, 26mm Blade Spacing required, enter under SPECIAL INSTRUCTIONS

SELECTION DATA



EXAMPLE

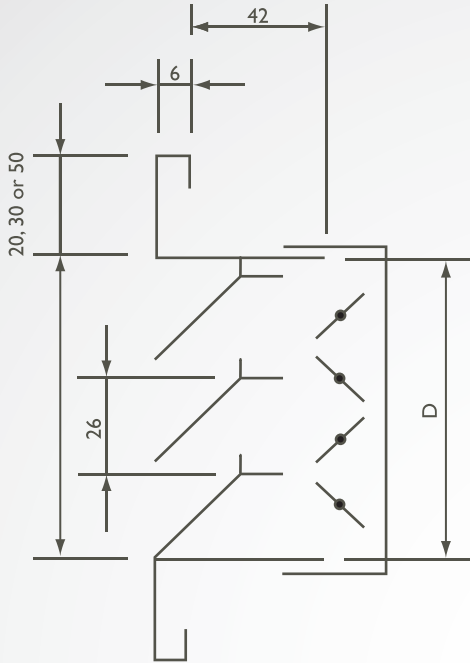
0,4m³/s AT 4M/S
 USE 350mm x 350mm
 PRESSURE DROP IS 10N/m²
 GRILLE + OBD PRESSURE DROP
 IS 15N/m². BY PIVOTING
 ON LINE A-A ALTERNATIVE
 DIMENSIONS ARE OBTAINED.

RETURN AIR GRILLS 04

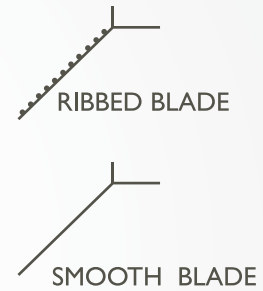
TYPE - **RARB**

TYPE RA/RB Return Air or Discharge Grille with ribbed or un-ribbed blades manufactured of extruded type 50S anodising grade aluminium with fixed horizontal blades.

TYPE RARB Grille can be used internally or externally and is particularly well suited for console air conditioning units.



- Optional Accessories**
- OBD** = Opposed Blade Damper
 - WM** = Wire Mesh
 - CF** = Concealed Fixing
 - FS** = Rear Fixing Straps
- Dimensions**
- D** = Over Neck Size



Frame Options

- 30mm Standard**
- 20mm**
- 50mm**

Finish Options

- NA** = Natural Anodised
- EPC** = Epoxy Powder Coating
- WS** = Wet Spray Colour

Blade Spacings

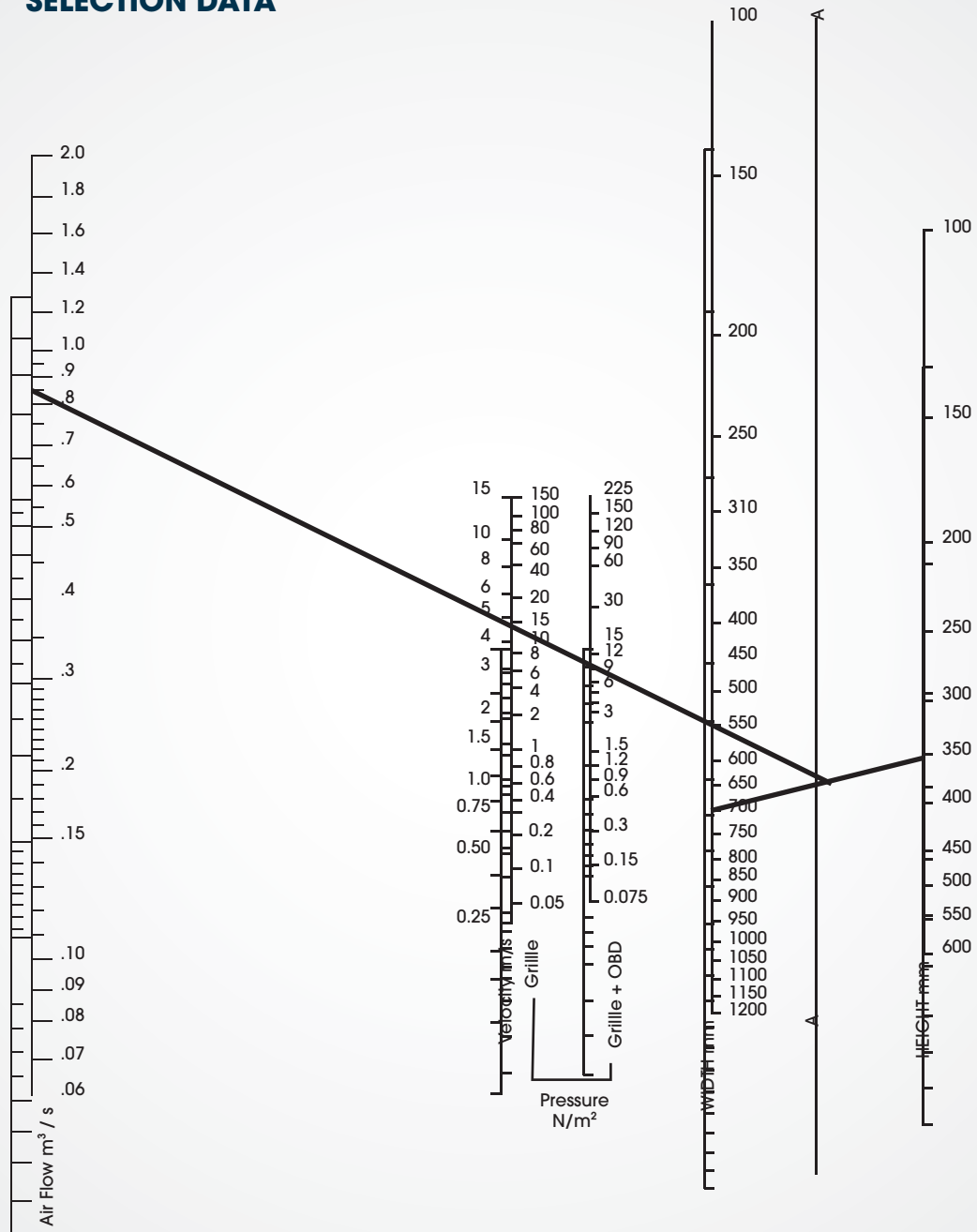
- 25mm Standard**
- 19mm**
- 13mm**

Ordering Procedure: Example

REF	QTY	SIZE (WxH)	TYPE	ACCESS	FRAME	FINISH	SPECIAL INSTRUCTIONS
1	15	755 x 405	RARB	-	30	NA	OVER NECK (ON)

- Note:
- (1) Dimensions given are for over neck size
 - (2) If code "OS" is entered under SPECIAL INSTRUCTIONS, then dimensions given are over flange
 - (3) If 13mm, 19mm Blade Spacing required, enter under SPECIAL INSTRUCTIONS

SELECTION DATA

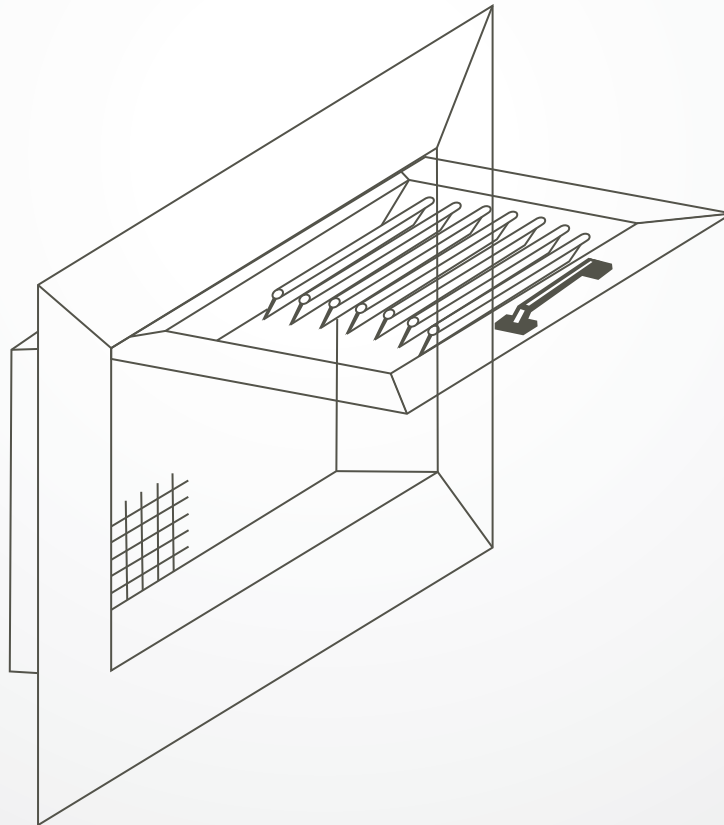


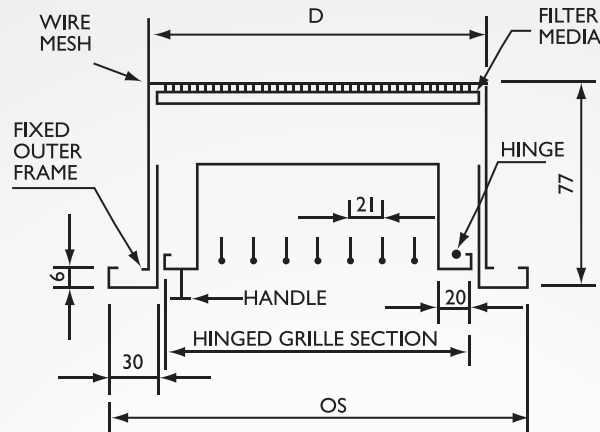
EXAMPLE

0,85m³/s AT 4M/S
 USE 700mm x 350mm
 PRESSURE DROP IS 10N/m²
 GRILLE + OBD PRESSURE DROP
 IS 6N/m². BY PIVOTING
 ON LINE A-A ALTERNATIVE
 DIMENSIONS ARE OBTAINED.

RETURN AIR FILTER FRAME **RAFF**

- This model is constructed from extruded aluminium.
- Core is hinged for easy installation and replacement of filters.
- Core can be of fixed blade type (RA, RARBISB, DD, SD, EC or WL)
- All models can be furnished with powder coated white finish preceded by five stage preparation process of cleaning, phosphatizing and drying.
- Other colours are available on request.
- Can also be supplied in natural anodize.





TYPE RAFF

Return Air Filter Frame Grille manufactured of extruded type 50S Anodising grade aluminium. This Grille consists of a fixed outer frame and hinged inner frame with grille core. The filter media is positioned inside the outer frame behind the hinged grille section. The Grille section is held closed by hidden clips. A handle is provided for opening the grille section. The grille can be utilised without the rear mounted filter section to provide access to Air-conditioning plant mounted above ceilings.

Optional Accessories

OBD = Opposed Blade Damper
PB = Plenum Box with spigots
PC = Punched counter sunk holes

Dimensions **D** = Normal Duct Size
 Frame Options **30mm Standard**

20mm
50mm

Core **SD** = Standard

Any of our Standard Blades can be used viz., DD, RA, EC, WL, SGS, SGT, or Perforated Plate, etc.

Blade Spacings Varies per type of blade

Finish Options **NA** = Natural Anodised
EPC = Epoxy Powder Coating
WS = Wet Spray Colour

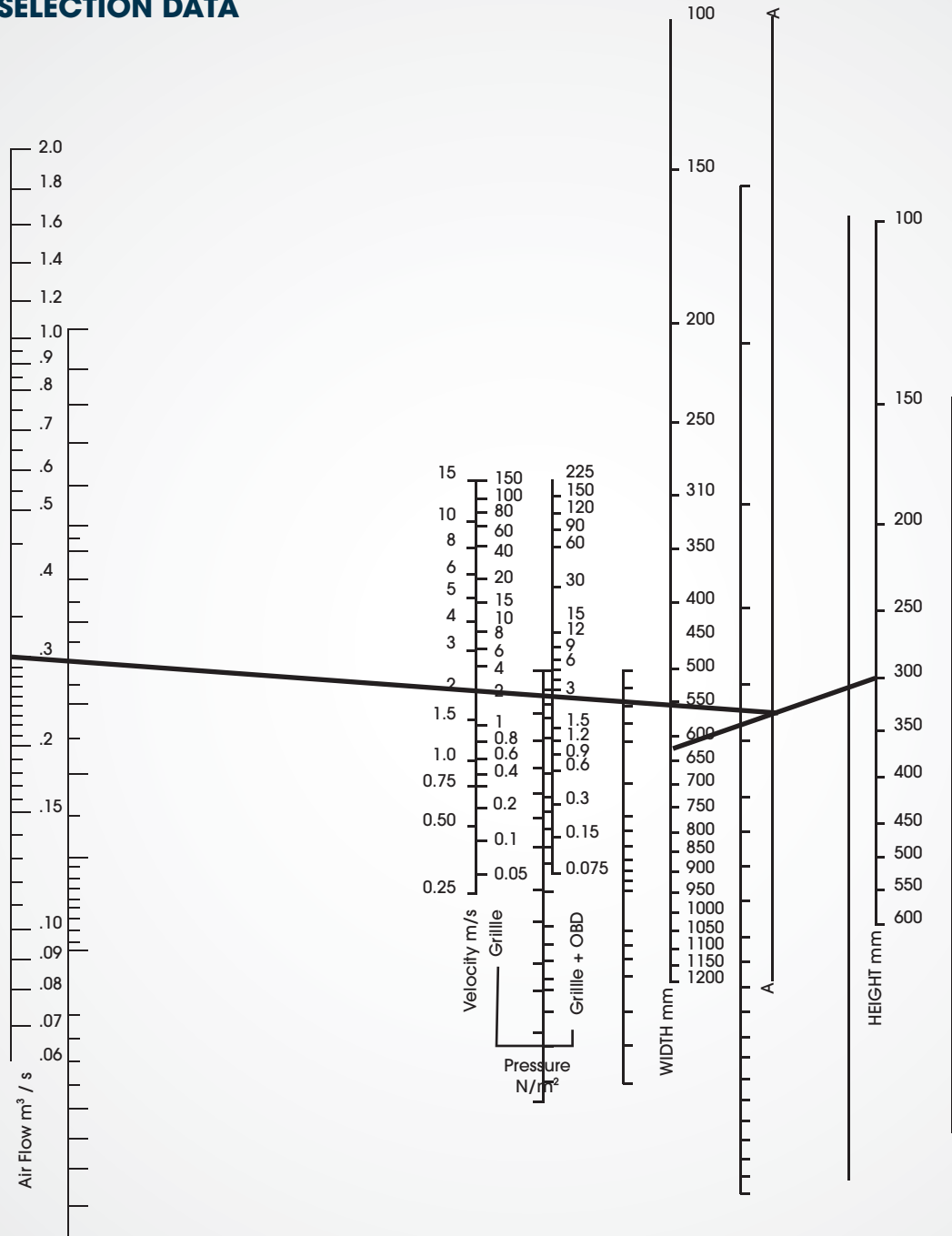
Filter Options 6mm Washable Synthetic Media - Standard
 Flat Panel Filter as alternative.

Ordering Procedure: Example

REF	QTY	SIZE (LxH)	TYPE	ACCESS	FRAME	FINISH	SPECIAL INSTRUCTIONS
1	6	1195 x 595	RAFF	-	30	EPC	"OS" 2 DOORS

Note: (1) Dimensions given are over flange size
 (2) First dimensions given is for side on which handle is fitted.

SELECTION DATA

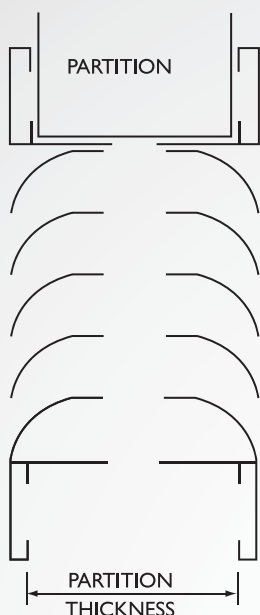


EXAMPLE

0,4 m^3/s AT 4M/S
 USE 350mm x 350mm
 PRESSURE DROP IS 10N/ m^2
 GRILLE + OBD PRESSURE DROP
 IS 15N/ m^2 . BY PIVOTING
 ON LINE A-A ALTERNATIVE
 DIMENSIONS ARE OBTAINED.

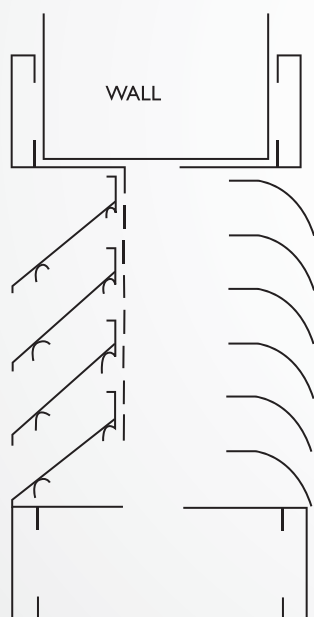
TRANSFER RETURN AIR GRILLS

Details 09



1) TYPE TG-RA

Transfer Return Air Grilles manufactured of extruded type anodising grade aluminium with fixed curved blade profile giving low see through characteristics. They are recommended for walls or partitions where a sight proof transfer grille is requested. It consists of two return air grilles mounted back-to-back.



1) TYPE TG-RA/WL

Transfer Return Air Weather Louvres Grilles manufactured of extruded type anodising grade aluminium with fixed blade profile. They are recommended for interior/exterior wall where a transfer grille is requested.

Ordering Procedure: Example

REF	QTY	SIZE (LxH)	TYPE	ACCESS	FRAME	FINISH	SPECIAL INSTRUCTIONS
1	1	1000 x 850	TG - RA	-	30	NA	75mm PARTITION

- Note: (1) Dimensions given are for over neck size
 (2) Partition thickness is entered under special instructions. Neck sizes (depth) may be trimmed, to suit your partition thickness, on request.